

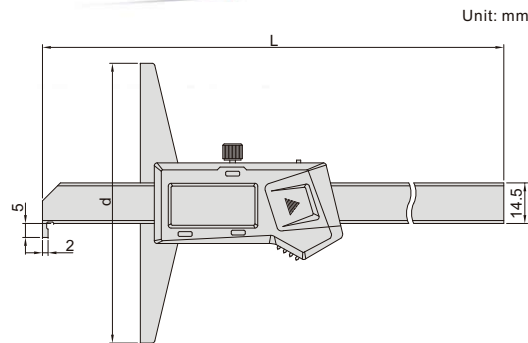
DIGITAL HOOK DEPTH GAGE

DATA
OUTPUT



1142-150A

- Resolution: 0.01mm/0.0005"
- Buttons: on/off, zero, mm/inch
- Automatic power off, move the digital unit to turn on power
- Battery CR2032
- Data output
- Made of stainless steel
- Optional accessory: data output cable (code 7306-20, 7302-SPC1A/SPC1B, 7305-SPC2)



(mm)

Code	Range	Accuracy	L	d
1142-150A	0-150mm/0-6"	±0.03mm	230	100
1142-200A	0-200mm/0-8"	±0.03mm	280	100
1142-300A	0-300mm/0-12"	±0.04mm	380	150

