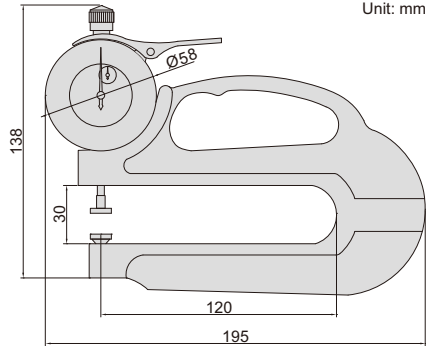
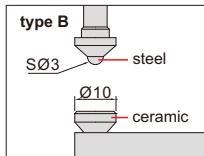
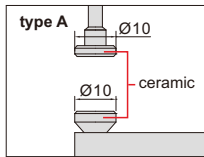


# THICKNESS GAGES



**2365-10**

Code	Range	Graduation	Accuracy	Type
<b>2365-10</b>	0-10mm	0.01mm	±0.02mm	A
<b>2365-20</b>	0-20mm	0.01mm	±0.03mm	A
<b>2365-10B</b>	0-10mm	0.01mm	±0.02mm	B
<b>2365-20B</b>	0-20mm	0.01mm	±0.03mm	B

measuring tips  
and anvils can be  
custom-made

