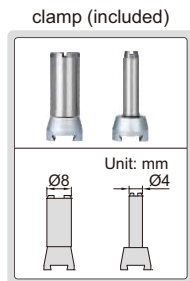


DIAL TEST INDICATORS

JEWELLED BEARING

INSPECTION CERTIFICATE
TRACEABLE TO NIST

- Meet DIN2270 (except **2380-02, 2381-02, 2381-021**)
- Jeweled bearing
- Carbide contact point
- Two measuring directions
- Anti magnetic body
- Supplied with two clamps: diameter $\varnothing 4\text{mm}$ and $\varnothing 8\text{mm}$
- Optional accessory: styli (page 171)

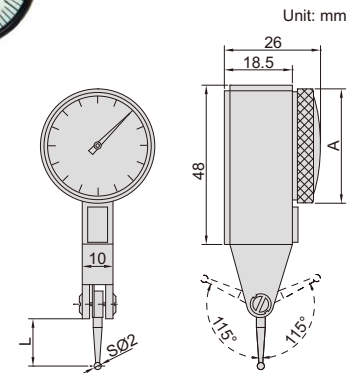


2380-08

(mm)

Code	Range	Graduation	Accuracy	Hysteresis	Dial reading	A	L
2380-08*	0.8mm	0.01mm	13 μm	3 μm	0-40-0	$\varnothing 30$	13.5
2381-08*	0.8mm	0.01mm	13 μm	3 μm	0-40-0	$\varnothing 37$	13.5
2380-02*	0.2mm	0.002mm	6 μm	2 μm	0-100-0	$\varnothing 30$	12.5
2381-02*	0.2mm	0.002mm	6 μm	2 μm	0-100-0	$\varnothing 37$	12.5
2381-021*	0.2mm	0.001mm	6 μm	2 μm	0-100-0	$\varnothing 37$	12.5

*Supplied with manufacturer inspection certificate traceable to NIST USA

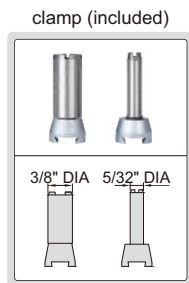


INCH DIAL TEST INDICATORS

JEWELLED BEARING

INSPECTION CERTIFICATE
TRACEABLE TO NIST

- Jeweled bearing
- Carbide contact point
- Two measuring directions
- Anti magnetic body
- Supplied with two clamps: 5/32" DIA and 3/8" DIA



2380-31

Code	Range	Graduation	Accuracy	Dial reading	A	L
2380-31*	0.03"	0.001"	$\pm 0.001"$	0-15-0	1.181" DIA	0.50"
2380-35*	0.03"	0.0005"	$\pm 0.0005"$	0-15-0	1.181" DIA	0.50"
2380-301*	0.008"	0.0001"	$\pm 0.0001"$	0-40-0	1.181" DIA	0.563"
2381-31*	0.03"	0.001"	$\pm 0.001"$	0-15-0	1.457" DIA	0.50"
2381-35*	0.03"	0.0005"	$\pm 0.0005"$	0-15-0	1.457" DIA	0.50"
2381-301*	0.008"	0.0001"	$\pm 0.0001"$	0-40-0	1.457" DIA	0.563"

*Supplied with manufacturer inspection certificate traceable to NIST

