

DIGITAL ROLLER THICKNESS GAGES

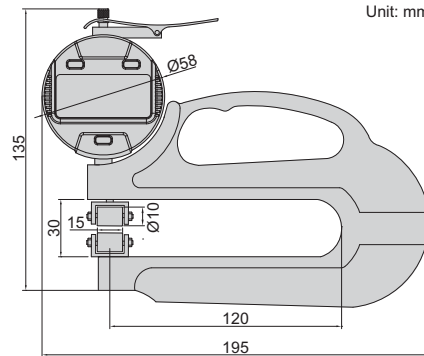


2877-4



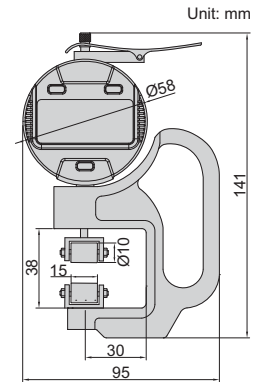
2877-10

- Buttons: on/off, inch/mm, zero, data preset, change measuring direction, absolute/incremental measurement
- Keep preset data in memory after restart
- Battery CR2032, automatic power off (time is adjustable)
- Data output
- Optional accessory: data output cable (code 7315-50M, 7302-50M)



Unit: mm

2877-4
2877-41



Unit: mm

2877-10
2877-101

| Code | Range | Resolution | Accuracy |
|----------|-----------------|------------------|----------|
| 2877-4 | 0-4.5mm/0-0.18" | 0.01mm/0.0005" | ±0.02mm |
| 2877-41 | 0-4.5mm/0-0.18" | 0.001mm/0.00005" | ±0.01mm |
| 2877-10 | 0-10mm/0-0.4" | 0.01mm/0.0005" | ±0.02mm |
| 2877-101 | 0-10mm/0-0.4" | 0.001mm/0.00005" | ±0.01mm |