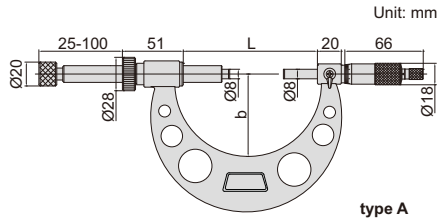


ATTENTION: NOT SUITABLE
FOR 0.001MM DIAL INDICATORS



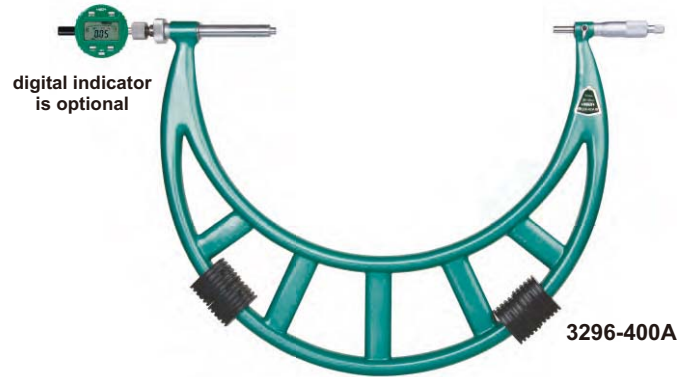
3296-100A



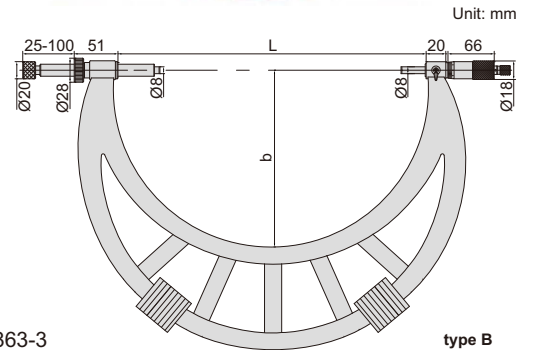
(mm)

Code	Range	Type	Accuracy	L	b
3296-100A	0-100mm	A	6 μ m	115	68
3296-200A	100-200mm	A	7 μ m	215	120
3296-300A	200-300mm	A	8 μ m	315	170
3296-400A	300-400mm	B	9 μ m	415	225
3296-500A	400-500mm	B	10 μ m	515	275
3296-600A	500-600mm	B	11 μ m	615	325
3296-700A	600-700mm	B	12 μ m	715	375
3296-800A	700-800mm	B	13 μ m	815	430
3296-900A	800-900mm	B	14 μ m	915	480
3296-1000A	900-1000mm	B	15 μ m	1015	530

MICROMETERS WITH DIAL INDICATOR



3296-400A



- Meet DIN863-3
- Graduation 0.01mm
- Ratchet stop
- Carbide measuring faces
- Supplied with setting standards
- Optional accessory: dial indicators (graduation 0.01mm)
digital indicators (resolution 0.01mm/0.0005")