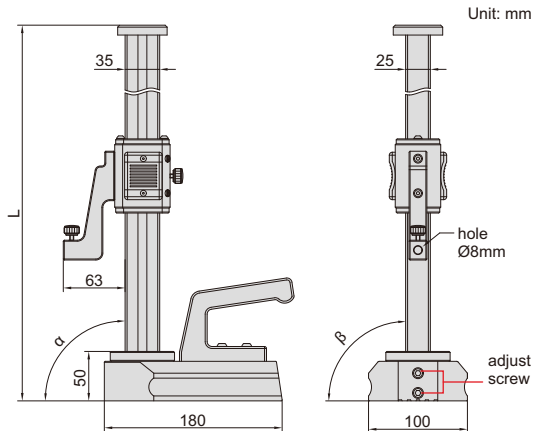


PERPENDICULARITY TESTERS



dial test indicator
is optional



Code	Range (H)	Perpendicularity (α)	Side perpendicularity (β)	L
4770-300	0-300mm	3μm	10μm	460mm
4770-600	0-600mm	5μm	20μm	760mm

- Optional accessory:
dial test indicators
(graduation: 1μm or 2μm)

4770-300