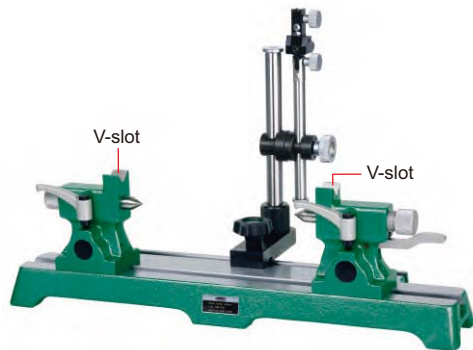
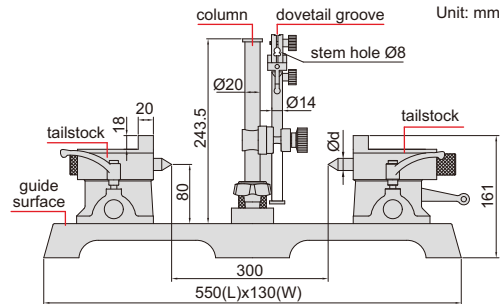


BENCH CENTER



4782-300

- Hardened cast-iron guide surface
- Movable column
- V-slot for cylinder $\text{Ø}4\sim\text{Ø}22\text{mm}$



Code	Parallelism*	Runout accuracy	Center height	Distance between two centers	Taper of center	Diameter of center ($\text{Ø}d$)	Load
4782-300	0.01mm	$2\mu\text{m}$	80mm	300mm	MT1	$\text{Ø}16\text{mm}$	25kg

*Parallelism of two centers to the guide surface