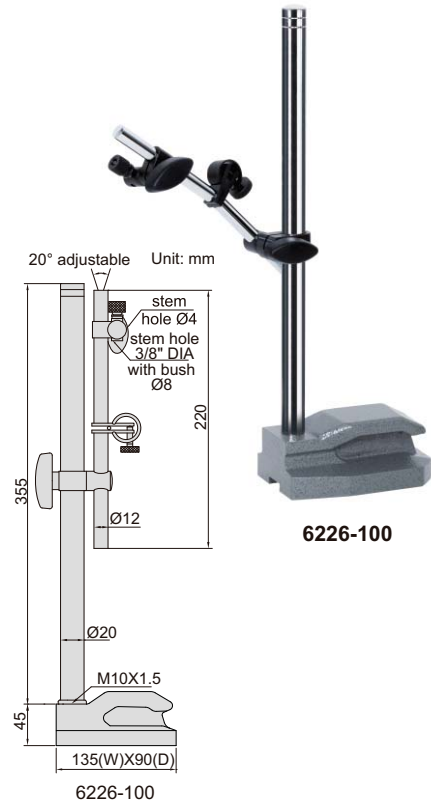
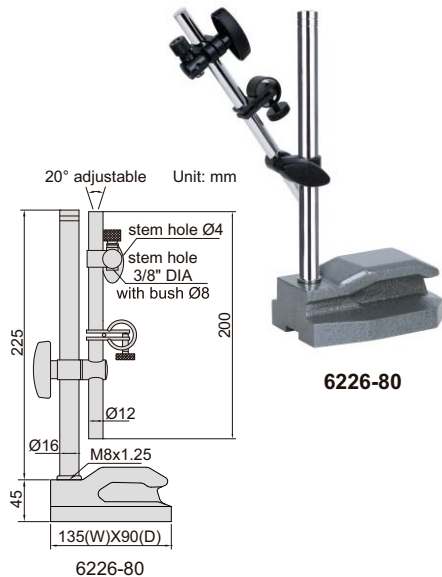
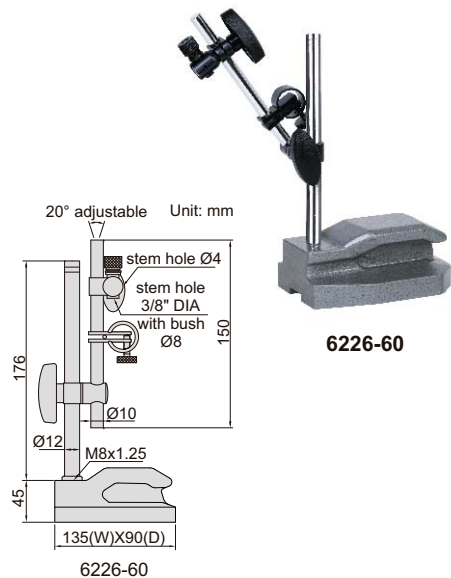


# DIAL INDICATOR STANDS (NON-MAGNETIC)



Code	Applicable holding stem	Remark
<b>6226-60</b>	Ø8mm, Ø4mm, 3/8" DIA	with fine adjustment
<b>6226-80</b>	Ø8mm, Ø4mm, 3/8" DIA	with fine adjustment
<b>6226-100</b>	Ø8mm, Ø4mm, 3/8" DIA	with fine adjustment

- Hardened base
- Suitable for granite surface plates and cast iron surface plates
- For digital/dial indicators and dial test indicators