

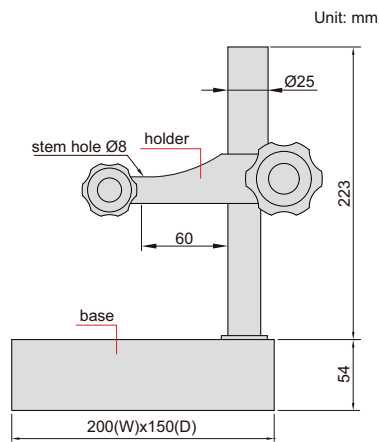
GRANITE DIAL INDICATOR STANDS (BASIC TYPE)



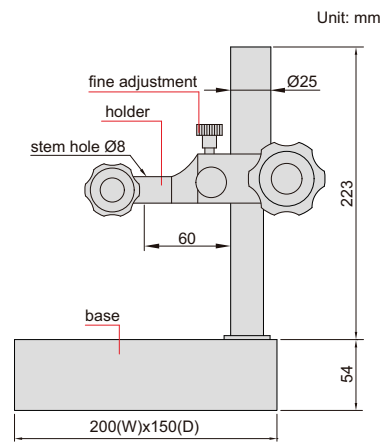
6841-170



6841-170D



6841-170



6841-170D

- Vertical travel of holder: 170mm
- Supplied with dust cover

Code	Applicable holding stem	Base	Remark
6841-170	Ø8mm	flatness 2.5µm	without fine adjustment
6841-170D	Ø8mm	flatness 2.5µm	with fine adjustment, fine adjustment range 3mm