

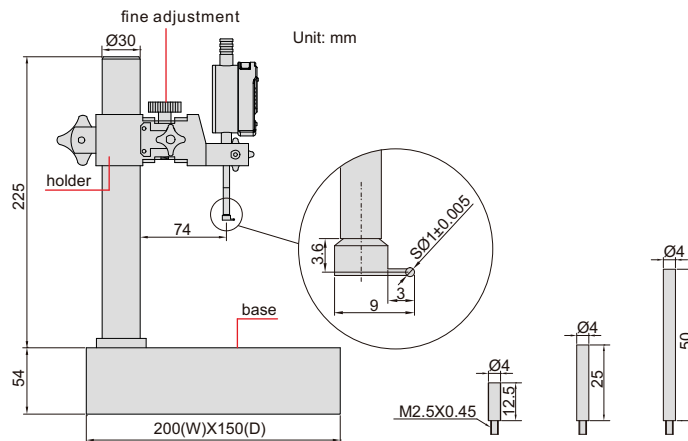
DIGITAL GROOVE MEASUREMENT STAND

DATA
OUTPUT



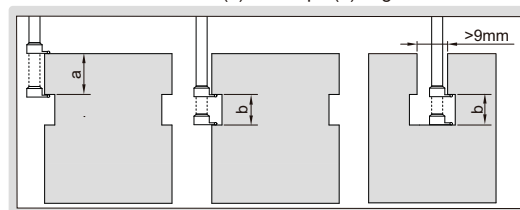
6870-150

- Button function: on/off, zero, mm/inch, measuring direction change, data preset, absolute/incremental measurement
- Vertical travel of holder: 150mm
- Fine adjustment range: 2mm
- CR2032 battery, automatic power off
- Data output
- Supplied with extension rods: 12.5mm(1 pc), 25mm(1 pc), 50mm(1 pc)
- Supplied with groove point and dust cover
- Optional accessory: data output cable (code **7315-50M**, **7302-40M**, **7305-40M**)



extension rods

measure width(b) and depth(a) of groove



Code	Digital indicator stroke	Digital indicator resolution	Accuracy	Applicable holding stem	Base
6870-150	12.7mm/0.5"	0.01mm/0.0005"	±20µm	Ø8mm	flatness 2.5µm
6870-1501	12.7mm/0.5"	0.001mm/0.00005"	±5µm	Ø8mm	flatness 2.5µm