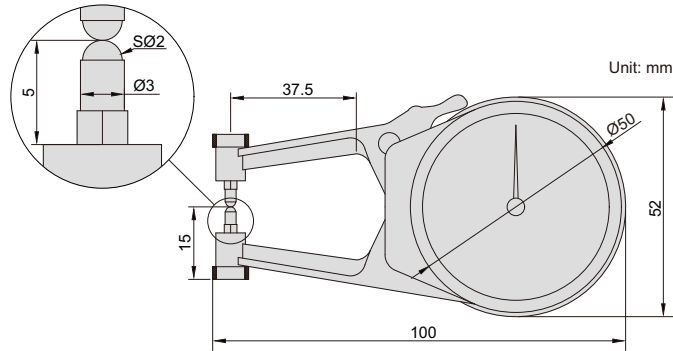


THICKNESS GAGE



2870-10



- Main body is made of hard plastic

| Code | Range | Graduation | Accuracy |
|---------|--------|------------|--------------|
| 2870-10 | 0-10mm | 0.1mm | ± 0.1 mm |