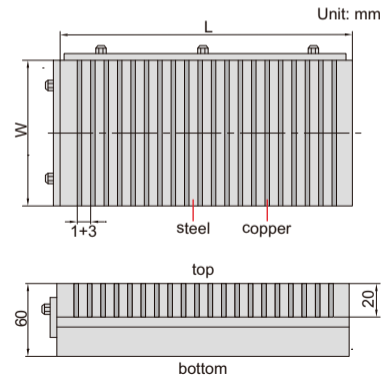


ATTENTION:
NOT HARDENED

PERMANENT MAGNETIC CHUCK



6537-400



Code	Table size (L×W)	Magnetic force	Pole pitch	Parallelism of top to bottom
6537-400	400×200mm	12kgf/cm ²	1+3mm	0.005mm/100mm