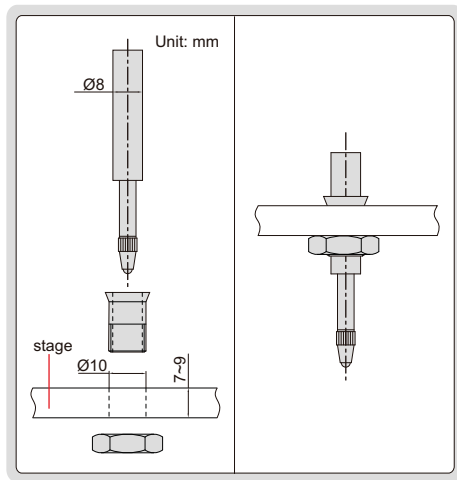
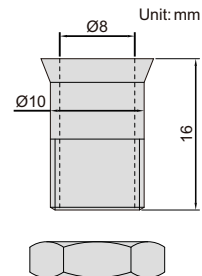


SHAFT SLEEVE



7333



- For dial indicators and probes with shaft diameter $\varnothing 8$ mm

Code
7333