



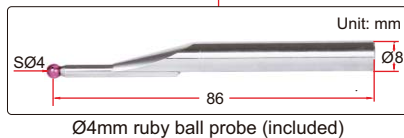
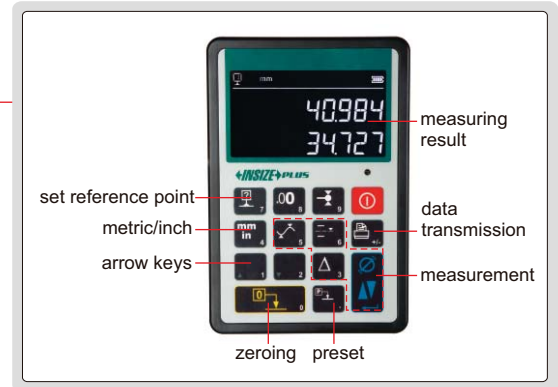
software CD  
(included)



VIDEO

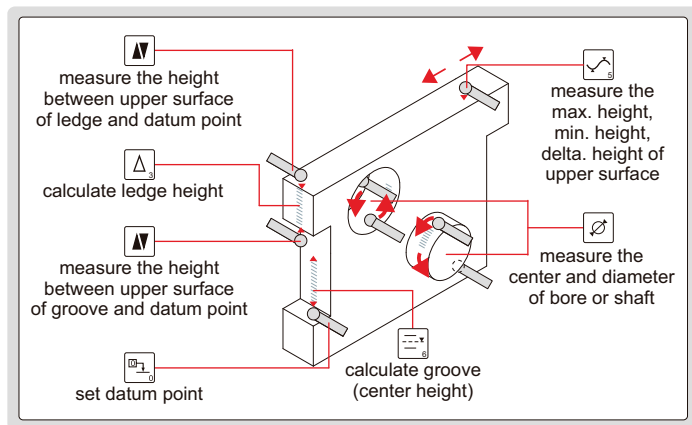


- Set 9 reference points
- Probe can be moved quickly by hand
- Touch buttons
- LED display with backlight
- Measurement results can be sent to Excel/Word, equivalent to keyboard input



**DHG-C420**

- measure height between measuring point and datum point
- maximum, minimum, TIR measurement
- calculate difference between two measured values
- measure diameter and center of shafts
- calculate average value of two measured values



**STANDARD DELIVERY**

Main unit	1 pc
Ø4mm ruby ball probe	1 pc
Calibration block	1 pc
AC/DC adapter	1 pc
Software and USB cable	1 pc

**SPECIFICATION**

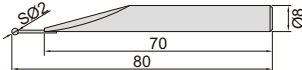
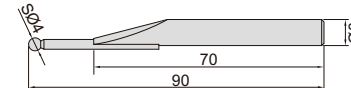
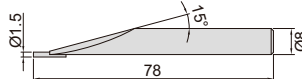
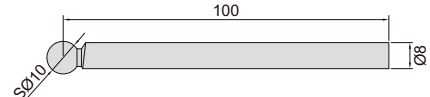
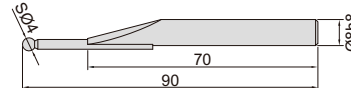
Measuring range	0~406mm
Accuracy (at 20°C)	8µm
Repeatability	3µm
Resolution	0.1mm, 0.01mm, 0.001mm (selectable)
Data output	USB
Measuring force	0.75N, 1N, 1.25N, 1.5N (selectable)
Power supply	AC/DC adapter
Working temperature	10°C~40°C
Weight	21kg

**OPTIONAL ACCESSORY**

Transmitter	7306-100
Receiver	7306-2
Rechargeable battery	ISHH-V-BATTERY
Probe	ISHH-V-C2A
	ISHH-V-C4A
	ISHH-V-R4
	ISHH-V-R5B
	ISHH-V-R10
	ISHH-V-P1

■ Probe (optional) for **DHG-C420**

Unit: mm

<p>SØ2mm carbide ball probe, code <b>ISHH-V-C2A</b></p> 	<p>SØ4mm carbide ball probe, code <b>ISHH-V-C4A</b></p> 	<p>Ø1.5mm pin probe, code <b>ISHH-V-P1</b></p> 
<p>SØ10mm ruby ball probe, code <b>ISHH-V-R10</b></p> 	<p>SØ4mm ruby ball probe, code <b>ISHH-V-R4</b></p> 	<p>SØ5mm ruby ball probe, code <b>ISHH-V-R5B</b></p> 